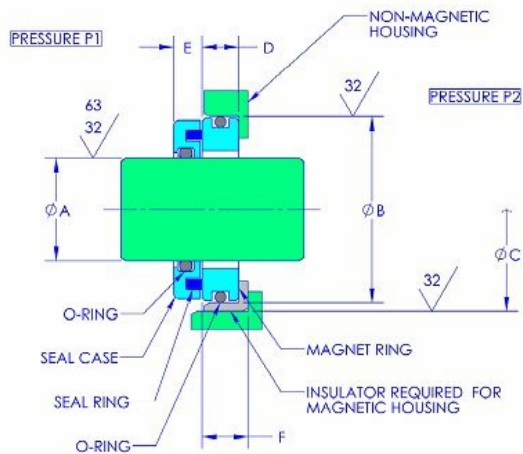


Model 62A Specifications



Dimensions in inches

Seal Size	Shaft Dia. A ±.001	Bore Dia. B ±.001	Bore Dia. C ±.001	D ±.005	E ±.010	F ±.015
62A-04	.248	.6875	.781	.200	.156	.252
62A-05	.310	.750	.8435	.200	.156	.252
62A-06	.373	.8125	.9375	.200	.156	.267
62A-07	.435	.875	1.000	.200	.156	.267
62A-08	.498	.9375	1.0625	.200	.156	.267
62A-09	.560	1.000	1.125	.200	.156	.267
62A-10	.623	1.0625	1.1875	.200	.156	.267
62A-11	.685	1.125	1.250	.200	.156	.267
62A-12	.748	1.250	1.375	.200	.156	.267
62A-13	.811	1.3125	1.4375	.200	.156	.267
62A-14	.873	1.375	1.500	.200	.156	.267
62A-15	.936	1.375	1.500	.200	.156	.267
62A-16	.998	1.5625	1.6875	.250	.187	.317
62A-17	1.061	1.625	1.750	.250	.187	.317
62A-18	1.123	1.6875	1.8125	.250	.187	.317
62A-19	1.186	1.750	1.875	.250	.187	.317
62A-20	1.248	1.8125	2.000	.250	.187	.348
62A-21	1.311	1.875	2.0625	.250	.187	.348
62A-22	1.373	1.9375	2.125	.250	.187	.348
62A-23	1.436	2.000	2.1875	.250	.187	.348
62A-24	1.498	2.0625	2.250	.250	.187	.348
62A-25	1.561	2.125	2.3125	.250	.187	.348
62A-26	1.623	2.1875	2.375	.250	.187	.348
62A-27	1.686	2.250	2.4375	.250	.187	.348
62A-28	1.748	2.3125	2.500	.250	.187	.348
62A-29	1.811	2.375	2.5625	.250	.187	.348
62A-30	1.873	2.4375	2.625	.250	.187	.348
62A-31	1.936	2.500	2.6875	.250	.187	.348
62A-32	1.998	2.5625	2.750	.250	.187	.348
62A-34	2.123	2.6875	2.875	.250	.187	.348
62A-36	2.248	2.8125	3.000	.250	.187	.348
62A-38	2.373	2.9375	3.125	.250	.187	.348
62A-40	2.498	3.0625	3.250	.250	.187	.348